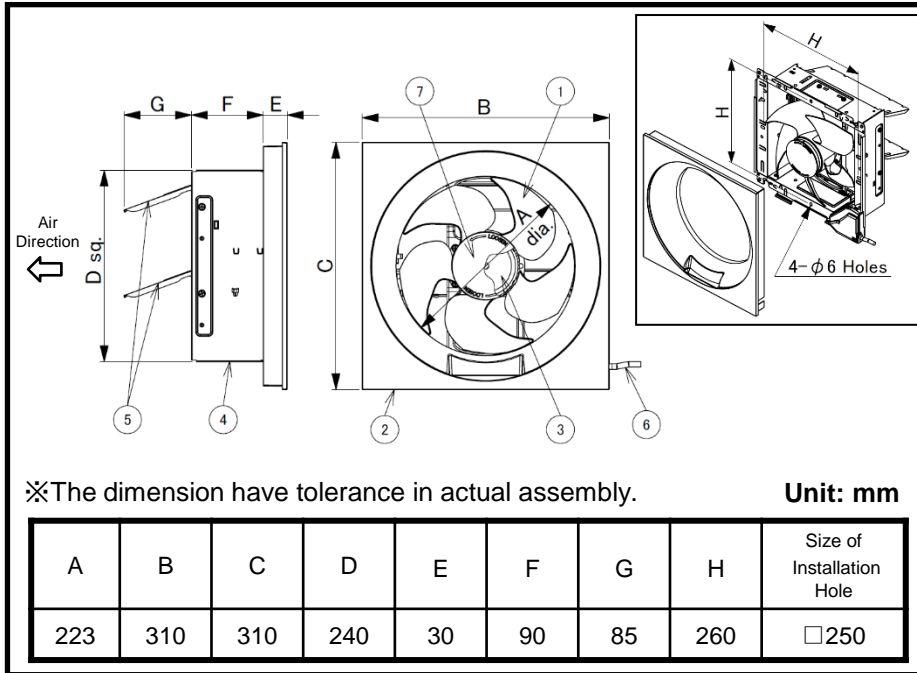


■ Main Dimensions



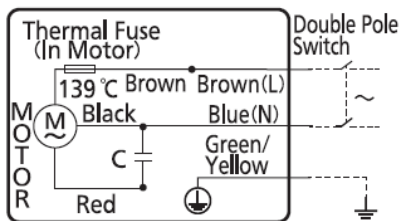
■ Main Part List

No.	Part Name	Material
①	Blade	Plastic
②	Orifice	Plastic
③	Motor	—
④	Frame	Iron Steel
⑤	Shutter	Iron Steel
⑥	Power cord	—
⑦	Spinner	Plastic

■ Specification

Rated Voltage	220V~ 50Hz	220-240V~ 50Hz	220V~ 60Hz
Air Volume (m ³ /h ±10%)	590	590-620	680
Power (W ±12%)	18	18-21.5	22
Max Static Pressure (Pa)	40	40-45	37
Noise (dB (A) ₋₇ ⁺³)	36	36-37	39
Net Weight (kg)	1.9	1.9	1.9
Motor Type	Capacitor Motor (Class B)	Capacitor Motor (Class B)	Capacitor Motor (Class B)
Insulation Resistance	More than 10MΩ	More than 10MΩ	More than 10MΩ
Electric Strength	Can withstand 1500V 1min	Can withstand 1500V 1min	Can withstand 1500V 1min
Ambient Temperature	-10° C ~ 50° C	-10° C ~ 50° C	-10° C ~ 50° C
IP Code	IPX4 (Outside)	IPX4 (Outside)	IPX4 (Outside)

■ Wiring Diagram



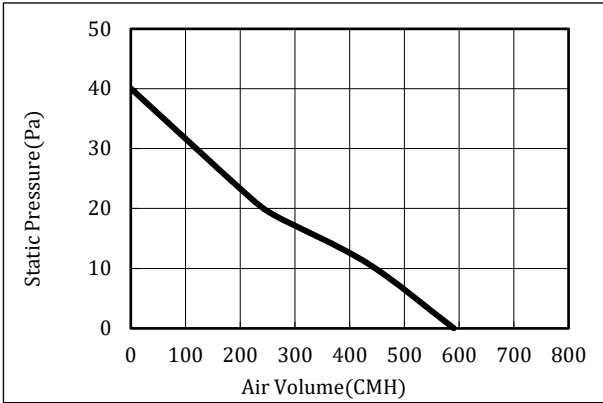
Notes:

1. The value of power consumption, air volume and noise are specified at the static pressure of 0 Pa.
2. The value of air volume is the mean value which is measured by our company.
3. The value of noise level is measured at 1m apart from the left, the right and the front of product, then get the average of three values.
4. The value of noise level is A weight average sound pressure level, the mean value is measured by our company.

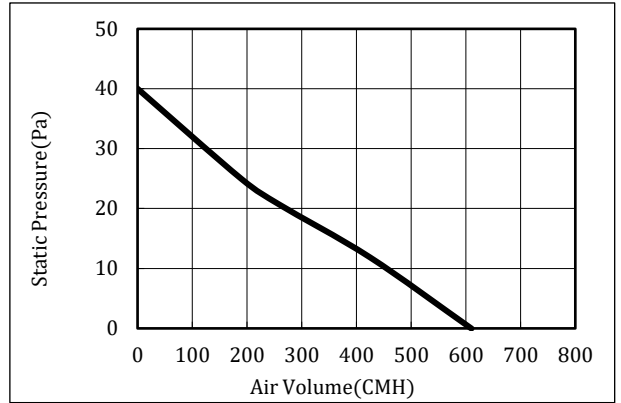
Product			Model	
Wall Mount Ventilating Fan			FV-20AU1	
Make Date	2022.08.05	Scale	Drawing No.	FV-20AU1-01
Modification Date	—	Free	Modification No.	—
Panasonic Electric Works Vietnam Co., Ltd.				

■ P-Q Curve

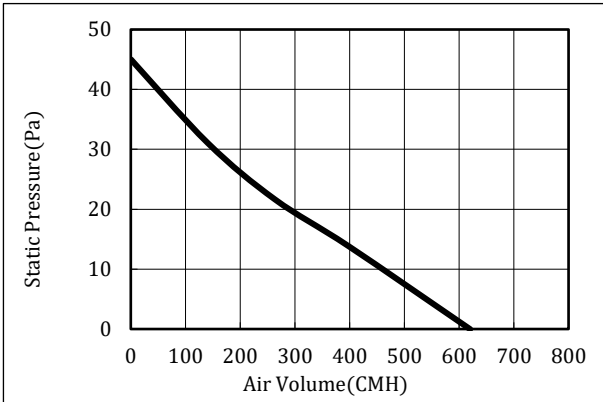
220V 50Hz



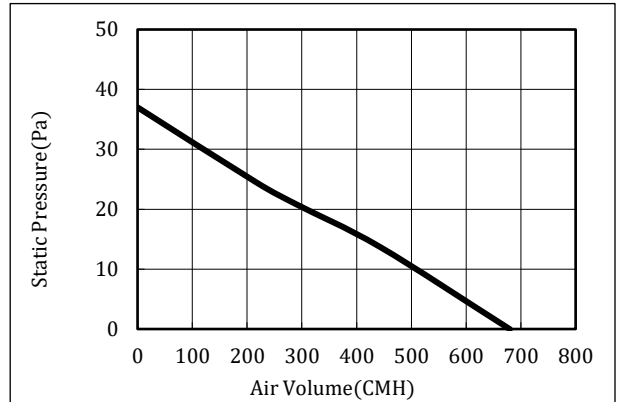
230V 50Hz



240V 50Hz

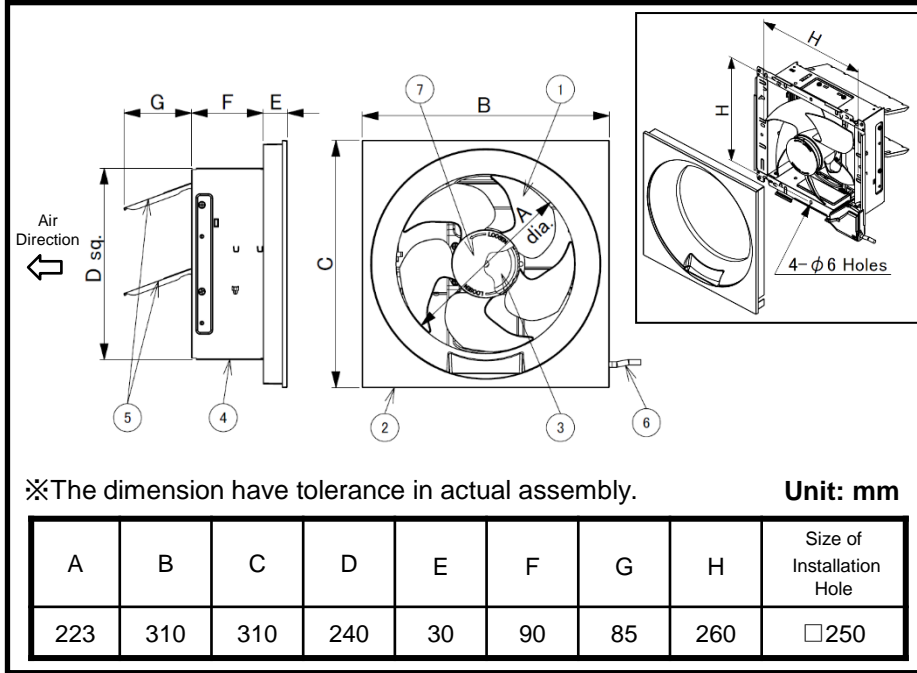


220V 60Hz



Product			Model	
Wall Mount Ventilating Fan			FV-20AU1	
Make Date	2022.08.05	Scale	Drawing No.	FV-20AU1-02
Modification Date	—	Free	Modification No.	—
Panasonic Electric Works Vietnam Co., Ltd.				

■ Main Dimensions



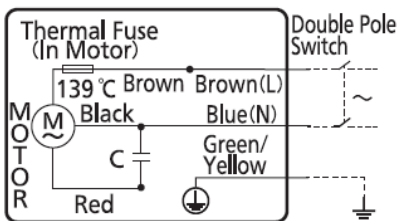
■ Main Part List

No.	Part Name	Material
①	Blade	Plastic
②	Orifice	Plastic
③	Motor	—
④	Frame	Iron Steel
⑤	Shutter	Iron Steel
⑥	Power cord	—
⑦	Spinner	Plastic

■ Specification

Rated Voltage	220V~ 50Hz
Air Volume (m ³ /h ±10%)	380
Power (W ±12%)	13.5
Max Static Pressure (Pa)	15
Noise (dB (A) _{.7} ⁺³)	27
Net Weight (kg)	1.9
Motor Type	Capacitor Motor (Class B)
Insulation Resistance	More than 10MΩ
Electric Strength	Can withstand 1500V 1min
Ambient Temperature	-10° C ~ 50° C
IP Code	IPX4 (Outside)

■ Wiring Diagram



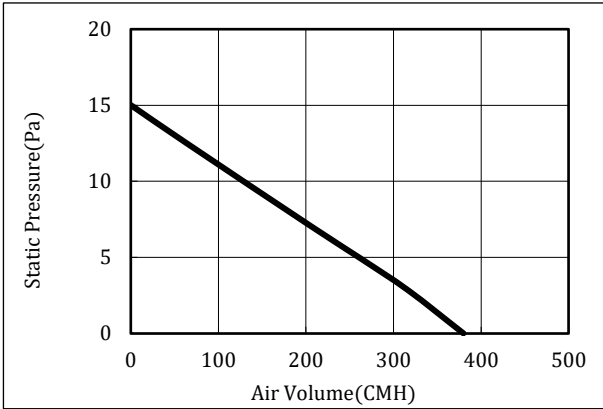
Notes:

- 1.The value of power consumption, air volume and noise are specified at the static pressure of 0 Pa.
- 2.The value of air volume is the mean value which is measured by our company.
- 3.The value of noise level is measured at 1m apart from the left, the right and the front of product, then get the average of three values.
- 4.The value of noise level is A weight average sound pressure level, the mean value is measured by our company.

Product			Model	
Wall Mount Ventilating Fan			FV-20AY1	
Make Date	2022.08.05	Scale	Drawing No.	FV-20AY1-01
Modification Date	—	Free	Modification No.	—
Panasonic Electric Works Vietnam Co., Ltd.				

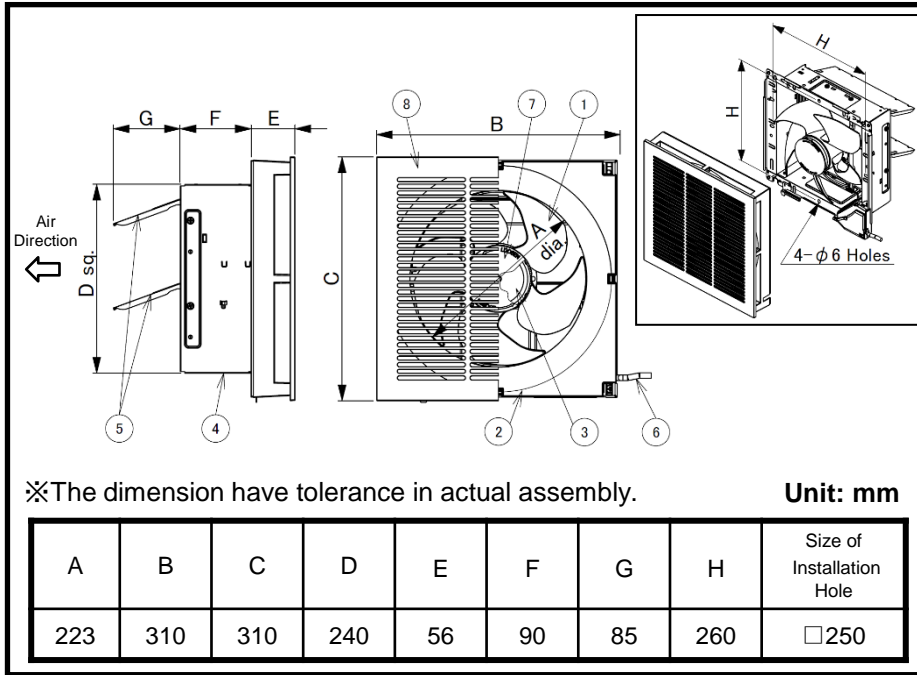
■ P-Q Curve

220V 50Hz



Product			Model	
Wall Mount Ventilating Fan			FV-20AY1	
Make Date	2022.08.05	Scale	Drawing No.	FV-20AY1-02
Modification Date	—	Free	Modification No.	—
Panasonic Electric Works Vietnam Co., Ltd.				

■ Main Dimensions



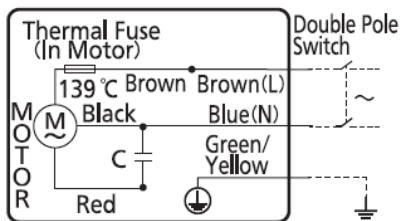
■ Main Part List

No.	Part Name	Material
①	Blade	Plastic
②	Orifice	Plastic
③	Motor	—
④	Frame	Iron Steel
⑤	Shutter	Iron Steel
⑥	Power cord	—
⑦	Spinner	Plastic
⑧	Louver	Plastic

■ Specification

Rated Voltage	220V~ 50Hz	220-240V~ 50Hz	220V~ 60Hz
Air Volume (m ³ /h ±10%)	550	550-560	610
Power (W ±12%)	18	18-21.5	22
Max Static Pressure (Pa)	40	40-46	40
Noise (dB (A) ₋₇ ⁺³)	38	38-39	42.5
Net Weight (kg)	2.0	2.0	2.0
Motor Type	Capacitor Motor (Class B)	Capacitor Motor (Class B)	Capacitor Motor (Class B)
Insulation Resistance	More than 10MΩ	More than 10MΩ	More than 10MΩ
Electric Strength	Can withstand 1500V 1min	Can withstand 1500V 1min	Can withstand 1500V 1min
Ambient Temperature	-10° C ~ 50° C	-10° C ~ 50° C	-10° C ~ 50° C
IP Code	IPX4 (Outside)	IPX4 (Outside)	IPX4 (Outside)

■ Wiring Diagram



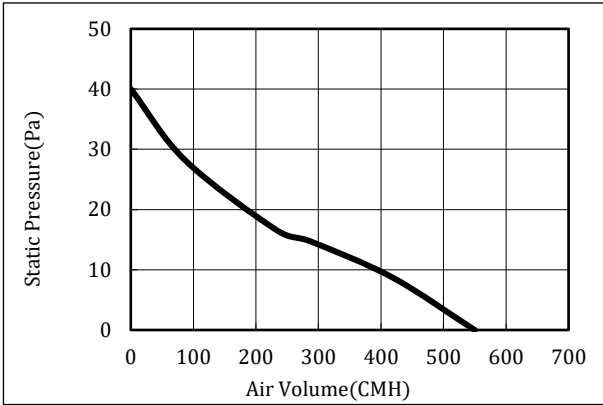
Notes:

1. The value of power consumption, air volume and noise are specified at the static pressure of 0 Pa.
2. The value of air volume is the mean value which is measured by our company.
3. The value of noise level is measured at 1m apart from the left, the right and the front of product, then get the average of three values.
4. The value of noise level is A weight average sound pressure level, the mean value is measured by our company.

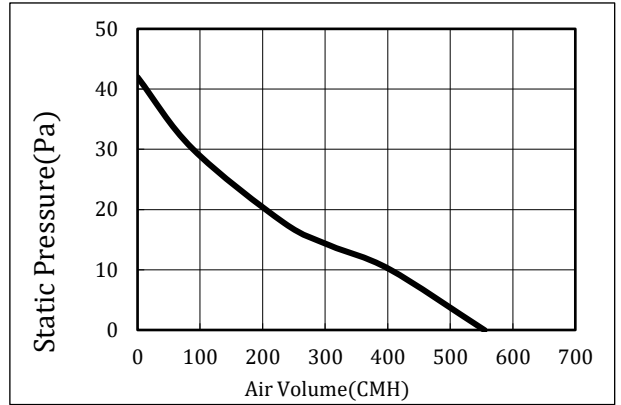
Product			Model	
Wall Mount Ventilating Fan			FV-20AL1	
Make Date	2022.08.05	Scale	Drawing No.	FV-20AL1-01
Modification Date	—	Free	Modification No.	—
Panasonic Electric Works Vietnam Co., Ltd.				

■ P-Q Curve

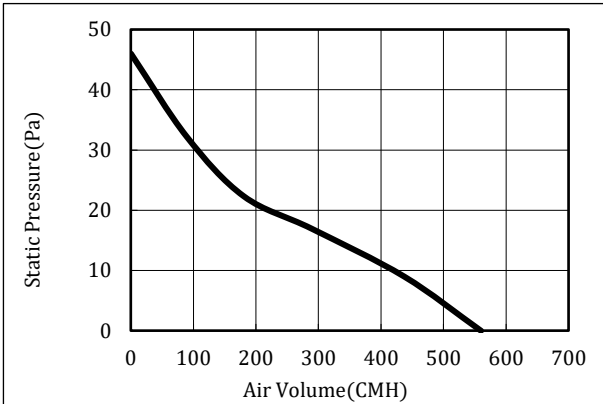
220V 50Hz



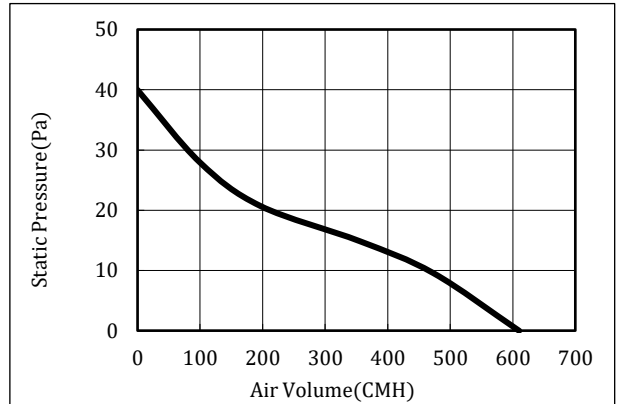
230V 50Hz



240V 50Hz

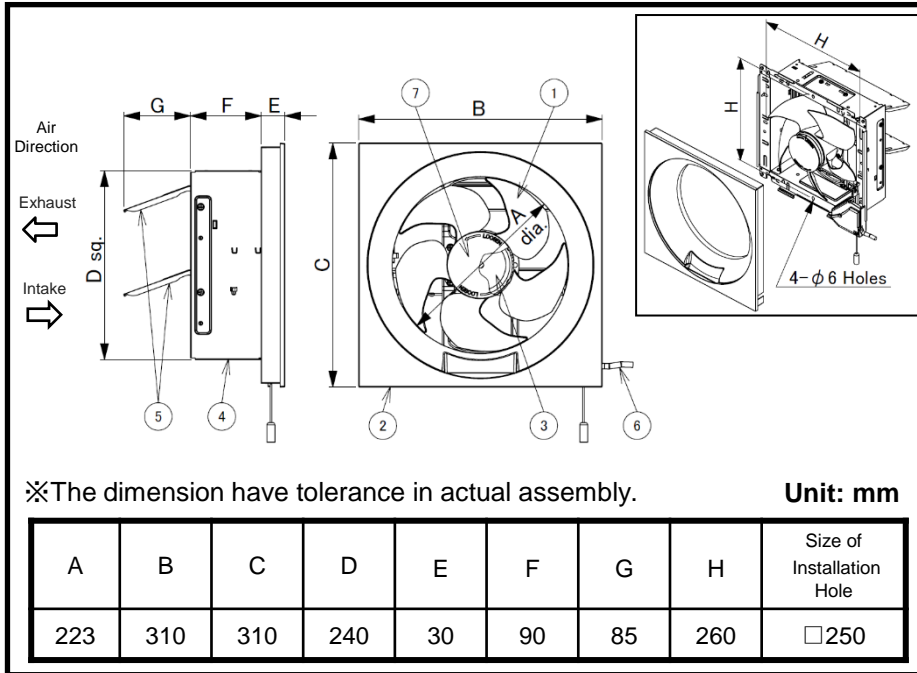


220V 60Hz



Product			Model	
Wall Mount Ventilating Fan			FV-20AL1	
Make Date	2022.08.05	Scale	Drawing No.	FV-20AL1-02
Modification Date	—	Free	Modification No.	—
Panasonic Electric Works Vietnam Co., Ltd.				

■ Main Dimensions



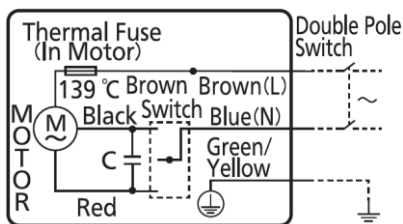
■ Main Part List

No.	Part Name	Material
①	Blade	Plastic
②	Orifice	Plastic
③	Motor	—
④	Frame	Iron Steel
⑤	Shutter	Iron Steel
⑥	Power cord	—
⑦	Spinner	Plastic

■ Specification

	Exhaust	Intake
Rated Voltage	220V~ 50Hz	
Air Volume (m ³ /h ±10%)	590	440
Power (W ±12%)	17	12.5
Max Static Pressure (Pa)	26	15
Noise (dB (A) ₋₇ ⁺³)	36	45
Net Weight (kg)	2.0	2.0
Motor Type	Capacitor Motor (Class B)	Capacitor Motor (Class B)
Insulation Resistance	More than 10MΩ	More than 10MΩ
Electric Strength	Can withstand 1500V 1min	Can withstand 1500V 1min
Ambient Temperature	-10° C ~ 50° C	-10° C ~ 50° C
IP Code	IPX4 (Outside)	IPX4 (Outside)

■ Wiring Diagram



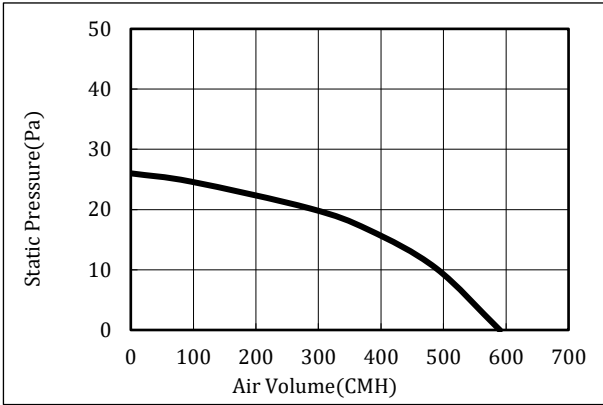
Notes:

1. The value of power consumption, air volume and noise are specified at the static pressure of 0 Pa.
2. The value of air volume is the mean value which is measured by our company.
3. The value of noise level is measured at 1m apart from the left, the right and the front of product, then get the average of three values.
4. The value of noise level is A weight average sound pressure level, the mean value is measured by our company.

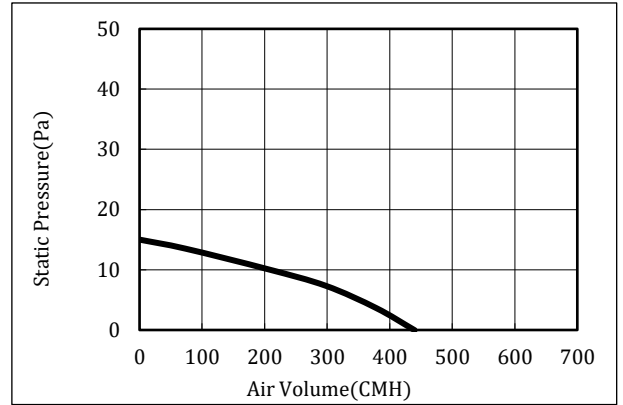
Product			Model	
Wall Mount Ventilating Fan			FV-20RG1	
Make Date	2022.08.05	Scale	Drawing No.	FV-20RG1-01
Modification Date	—	Free	Modification No.	—
Panasonic Electric Works Vietnam Co., Ltd.				

■ P-Q Curve

220V 50Hz Exhaust

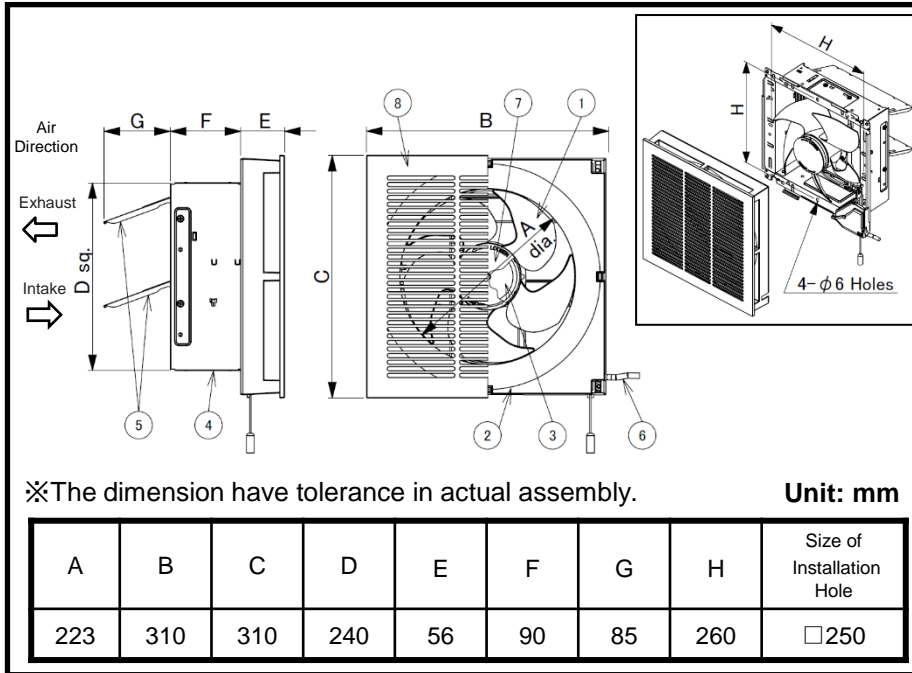


220V 50Hz Intake



Product			Model	
Wall Mount Ventilating Fan			FV-20RG1	
Make Date	2022.08.05	Scale	Drawing No.	FV-20RG1-02
Modification Date	—	Free	Modification No.	—
Panasonic Electric Works Vietnam Co., Ltd.				

■ Main Dimensions



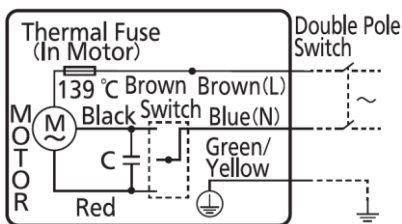
■ Main Part List

No.	Part Name	Material
①	Blade	Plastic
②	Orifice	Plastic
③	Motor	—
④	Frame	Iron Steel
⑤	Shutter	Iron Steel
⑥	Power cord	—
⑦	Spinner	Plastic
⑧	Louver	Plastic

■ Specification

	Exhaust	Intake	Exhaust	Intake
Rated Voltage	220V~ 50Hz		220-230V~ 50Hz	
Air Volume (m ³ /h ±10%)	550	430	550-555	430-440
Power (W ±12%)	17	12.5	17-18	12.5-13
Max Static Pressure (Pa)	25	15	25-30	15
Noise (dB (A) ₋₇ ⁺³)	38	45	38-38.5	45
Net Weight (kg)	2.1	2.1	2.1	2.1
Motor Type	Capacitor Motor (Class B)	Capacitor Motor (Class B)	Capacitor Motor (Class B)	Capacitor Motor (Class B)
Insulation Resistance	More than 10MΩ	More than 10MΩ	More than 10MΩ	More than 10MΩ
Electric Strength	Can withstand 1500V 1min	Can withstand 1500V 1min	Can withstand 1500V 1min	Can withstand 1500V 1min
Ambient Temperature	-10°C ~ 50°C	-10°C ~ 50°C	-10°C ~ 50°C	-10°C ~ 50°C
IP Code	IPX4 (Outside)	IPX4 (Outside)	IPX4 (Outside)	IPX4 (Outside)

■ Wiring Diagram



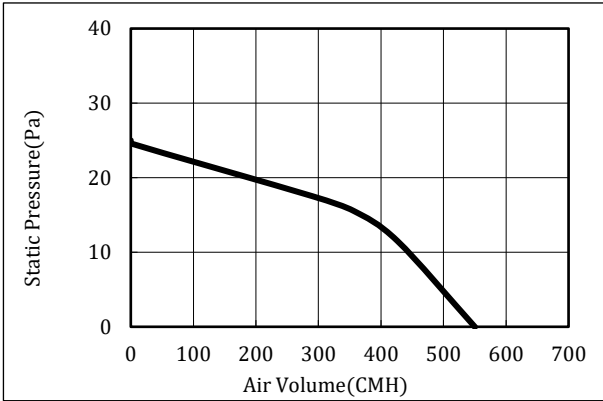
Notes:

1. The value of power consumption, air volume and noise are specified at the static pressure of 0 Pa.
2. The value of air volume is the mean value which is measured by our company.
3. The value of noise level is measured at 1m apart from the left, the right and the front of product, then get the average of three values.
4. The value of noise level is A weight average sound pressure level, the mean value is measured by our company.

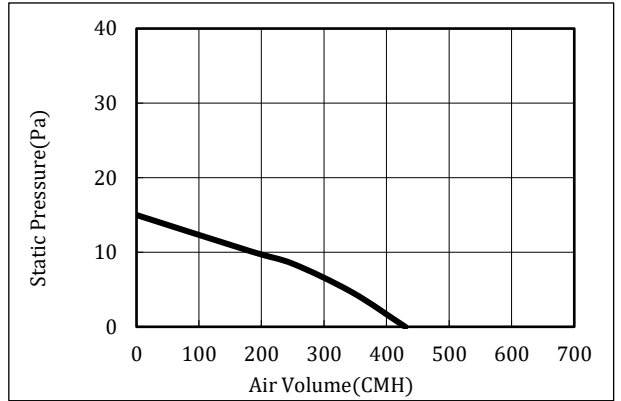
Product			Model	
Wall Mount Ventilating Fan			FV-20RL1	
Make Date	2022.08.05	Scale	Drawing No.	FV-20RL1-01
Modification Date	—	Free	Modification No.	—
Panasonic Electric Works Vietnam Co., Ltd.				

■ P-Q Curve

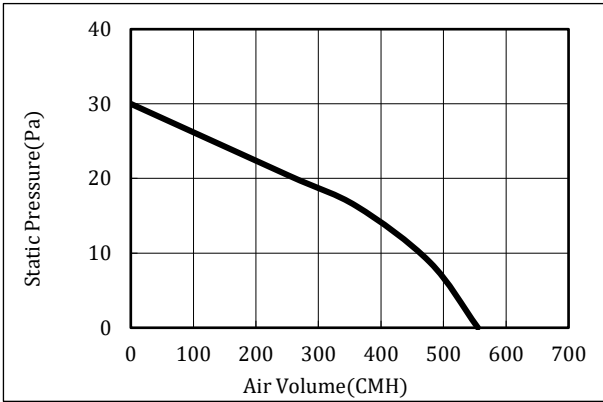
220V 50Hz Exhaust



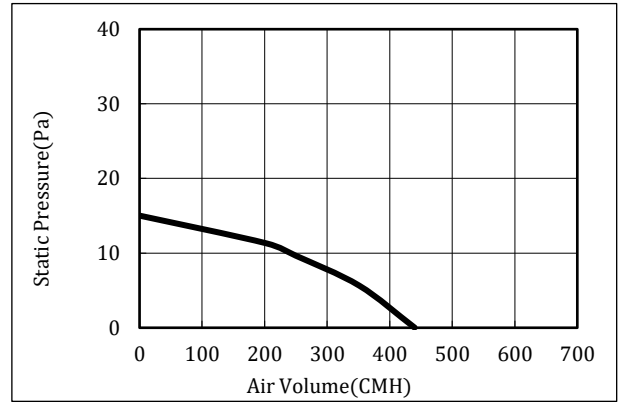
220V 50Hz Intake



230V 50Hz Exhaust



230V 50Hz Intake



Product			Model	
Wall Mount Ventilating Fan			FV-20RL1	
Make Date	2022.08.05	Scale	Drawing No.	FV-20RL1-02
Modification Date	—	Free	Modification No.	—
Panasonic Electric Works Vietnam Co., Ltd.				